



Oil cleaning: A simple solution for an invisible problem

A Simple, environmentally friendly solution for increased uptime and process availability. Investing in oil cleaning gives your company a better economy.

EF2121D

Offline oil cleaner

Removes all types of contamination:

- Soft and hard particles down to $\geq 0,1 \mu\text{m}$
- Bacteria
- Water (free and emulsified)
- Oxidation products (sludge and resin).

Benefits:

- Cost effective maintenance
- No oil changes = Environmentally friendly
- Change filters instead of changing oil
- Increased machine lifetime
- Less downtime
- No oxidation in oil

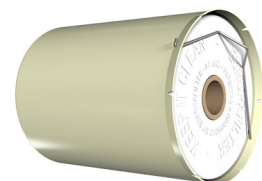


Filter insert EF500HY

Dirt capacity: ISO 12103-1 FTD: 1755 g $\geq 0,1$ micron

Water absorption, restricted and unrestricted: $\geq 3000\text{ml}$

Material insert: Cellulose, Polypropylene Homopolymer

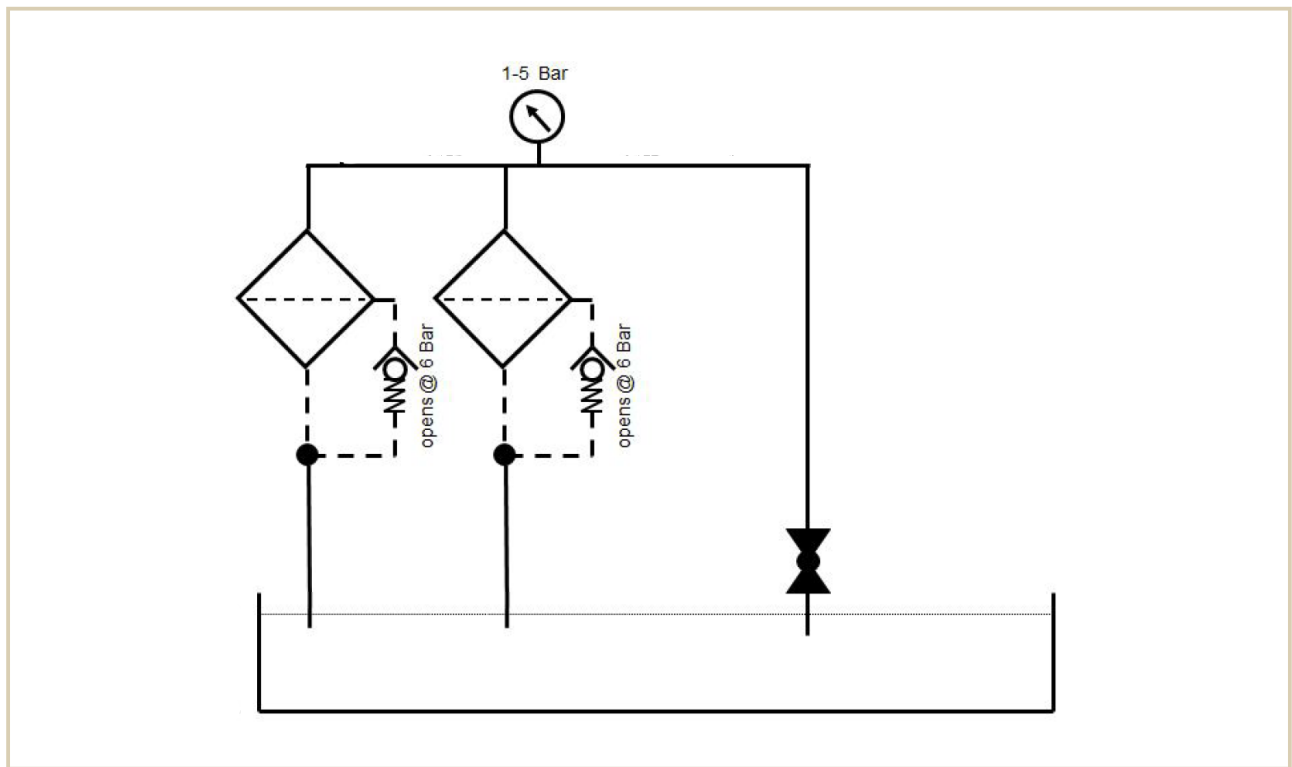


TECHNICAL SPECIFICATION

Europafilter	EF2121D
Dry weight:	17,3 kg
Operating weight:	33,9 kg
Depth:	300 mm
Width:	702 mm
Height:	531 mm (Service height filter replacement + 250 mm)
Dirt capacity: (particles/water)	Particles ISO 12103-1 FTD: 1755 g \geq 0,1 micron Water absorption, restricted and unrestricted: \geq 3000 ml (Depending on oiltype)
Oil temp:	Max. 80 °C (On higher temperatures contact Europafilter)
Particle removal:	\geq 0,1 micron
Working pressure:	0.8–5 bar
Pressure:	Max. 6 bar, safety valve opens at 6 bar
Power consumption:	0.12 kW
Power supply:	Standard 1x230 V. Optional 3x220 V / 3x400 V+N. Others on request
Hose connection IN:	\varnothing 3/4" BSP
Hose connection OUT:	\varnothing 3/8" BSP
Installation (see drawing):	Connect as an offline unit. «IN» = hose to tank and «UT» = hose to tank
Flow, min.–max.:	6–240 l/h. Varies depending on oil viscosity and pressure
Approx flow at 3 bar:	32 cSt 46 cSt 68 cSt 100 cSt 150 cSt 220 cSt 320 cSt 460 cSt
	4 l/min 3 l/min 2 l/min 1,6 l/min 1,2 l/min 0,8 l/min 0,4 l/min 0,2 l/min
Oil volume *, max. rec.:	12000 l 9000 l 6000 l 5200 l 4400 l 4000 l 1800 l 900 l

* For other oilvolumes: Contact your Europafilter dealer.

TECHNICAL DRAWING Offline installation



TECHNICAL SPECIFICATION

