



Oil cleaning: A simple solution for an invisible problem

A Simple, environmentally friendly solution for increased uptime and process availability. Investing in oil cleaning gives your company a better economy.

EF2155Dbtb Offline oil cleaner

Removes all types of contamination:

- Soft and hard particles down to $\geq 0,1 \mu\text{m}$
- Bacteria
- Water (free and emulsified)
- Oxidation products (sludge and resin).

Benefits:

- Cost effective maintenance
- No oil changes = Environmentally friendly
- Change filters instead of changing oil
- Increased machine lifetime
- Less downtime
- No oxidation in oil

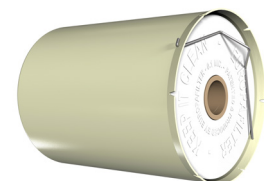


Filter insert EF500HY

Dirt capacity: ISO 12103-1 FTD: 1755 g $\geq 0,1$ micron

Water absorption, restricted and unrestricted: $\geq 3000\text{ml}$

Material insert: Cellulose, Polypropylene Homopolymer

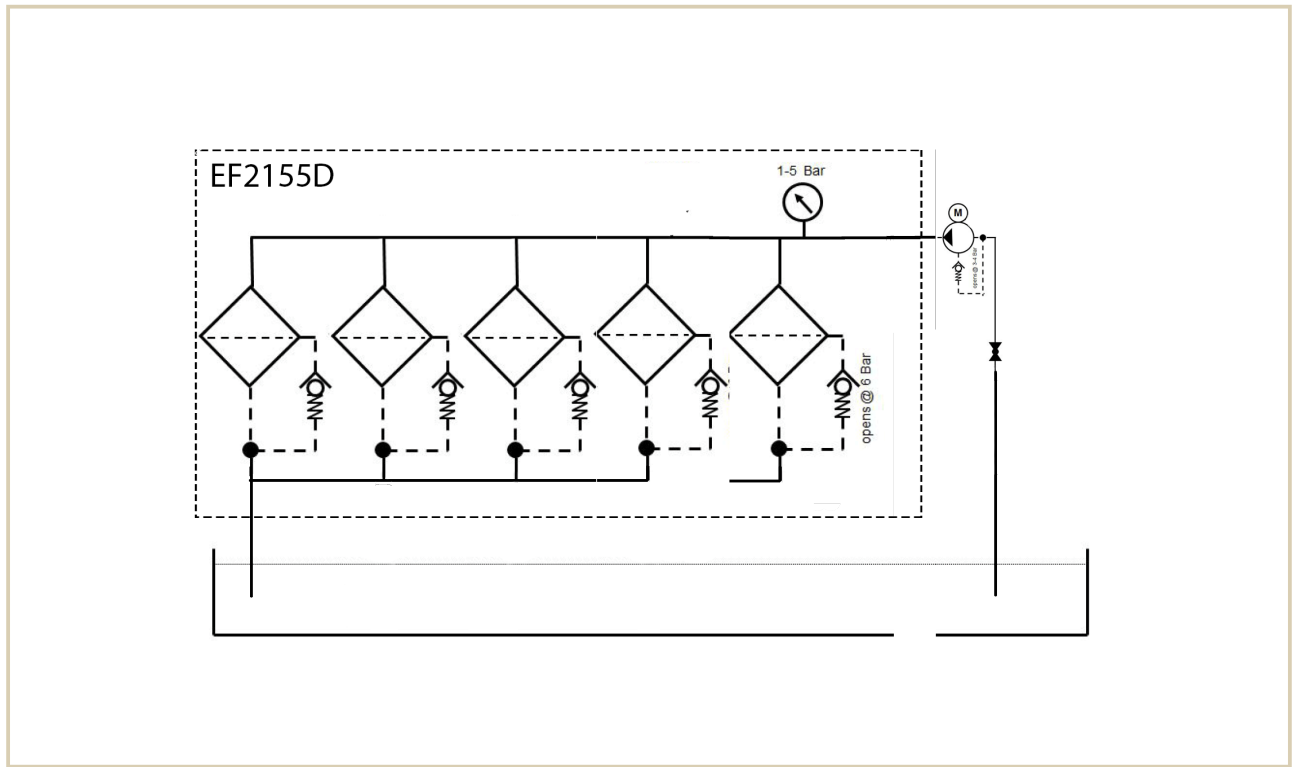


TECHNICAL SPECIFICATION

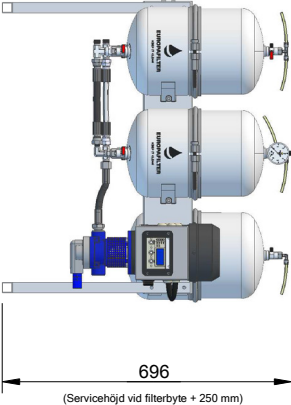
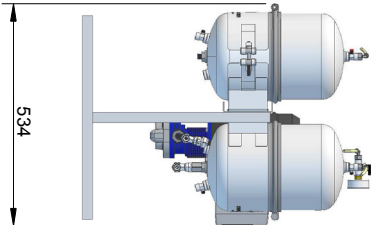
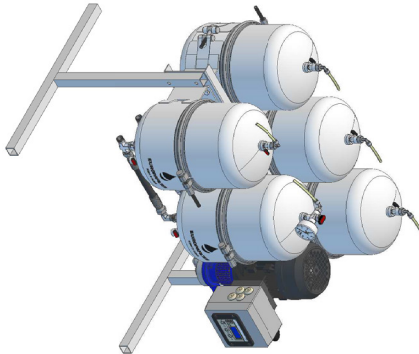
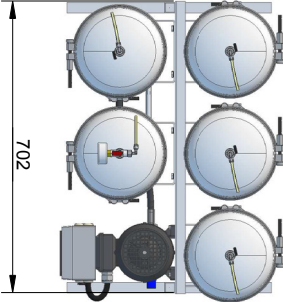
Europafilter	EF2155Dbtb							
Dry weight:	45,9 kg							
Operating weight:	79,1 kg							
Depth:	510 mm							
Width:	947 mm							
Height:	691 mm (Service height filter replacement + 250 mm)							
Dirt capacity: (particles/water)	Particles ISO 12103-1 FTD: 1755 g ≥ 0,1 micron Water absorption, restricted and unrestricted: ≥ 3000 ml (Depending on oiltype)							
Oil temp:	Max. 80 °C (On higher temperatures contact Europafilter)							
Particle removal:	≥ 0,1 micron							
Working pressure:	0.8–5 bar							
Pressure:	Max. 6 bar, safety valve opens at 6 bar							
Power consumption:	0.12 kW							
Power supply:	Standard 1x230 V. Optional 3x220 V / 3x400 V+N. Others on request							
Hose connection IN:	Ø 3/4" BSP							
Hose connection OUT:	Ø 3/8" BSP							
Installation (see drawing):	Connect as an offline unit. «IN» = hose to tank and «UT» = hose to tank							
Flow, min.–max.:	6–240 l/h. Varies depending on oil viscosity and pressure							
Approx flow at 3 bar:	32 cSt	46 cSt	68 cSt	100 cSt	150 cSt	220 cSt	320 cSt	460 cSt
	10 l/min	7,5 l/min	5 l/min	4 l/min	3 l/min	2l/min	1 l/min	0,5 l/min
Oil volume *, max. rec.:	30000 l	22500 l	15000 l	13000 l	11000 l	10000 l	4500 l	2250 l

* For other oilvolumes: Contact your Europafilter dealer.

TECHNICAL DRAWING Offline installation



TECHNICAL SPECIFICATION

1	2	3	4	5	6	1	2																				
 <p style="text-align: center;">696 (Serviceh�jd vid filterbyte + 250 mm)</p>			 <p style="text-align: center;">534</p>																								
 <p style="text-align: center;">702</p>			<p style="font-size: 24pt; font-weight: bold;">EF2155D</p>			<p style="font-size: 12pt;">14.08.11</p>																					
<table border="1" style="width: 100%; border-collapse: collapse;"> <tr> <td style="width: 25%;">Itemref</td> <td style="width: 25%;">Quantity</td> <td colspan="2" style="width: 50%;">Title/Name, designation, material, dimension etc</td> </tr> <tr> <td>Drawn by Joacim Rainil</td> <td></td> <td>Checked by</td> <td>Approved by - date</td> </tr> <tr> <td></td> <td></td> <td>File name</td> <td>Date 2014-08-11</td> </tr> <tr> <td></td> <td></td> <td>Article No./Reference</td> <td>Scale 1/14</td> </tr> </table>		Itemref	Quantity	Title/Name, designation, material, dimension etc		Drawn by Joacim Rainil		Checked by	Approved by - date			File name	Date 2014-08-11			Article No./Reference	Scale 1/14	<table border="1" style="width: 100%; border-collapse: collapse;"> <tr> <td style="width: 50%;">Date</td> <td style="width: 50%;">Signature</td> </tr> <tr> <td></td> <td></td> </tr> <tr> <td style="width: 50%;">Edition</td> <td style="width: 50%;">Checked</td> </tr> <tr> <td></td> <td></td> </tr> </table>		Date	Signature			Edition	Checked		
Itemref	Quantity	Title/Name, designation, material, dimension etc																									
Drawn by Joacim Rainil		Checked by	Approved by - date																								
		File name	Date 2014-08-11																								
		Article No./Reference	Scale 1/14																								
Date	Signature																										
Edition	Checked																										
1	2	3	4	5	6	1	2																				
A	B	C	D	A	B	C	D																				